

Luxaflex® Silhouette® Shades



2019



Luxaflex® Silhouette Shades Training Manual





window styling

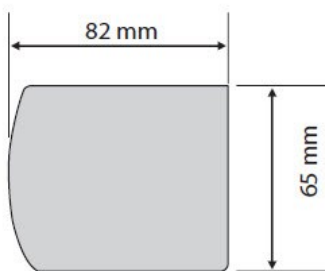
Luxaflex® Silhouette® Shades

The ingenious construction of soft rotating fabric vanes suspended between two sheer fabric layers allows a gentle translucency into your home. Create an endless variety of moods by inclining the vanes so that you can let more or less light pass through to your room.

- Silhouette® Shades transform harsh sunlight, with their signature S-Vane™ design and double sheer construction
- Ultraviolet (UV) protection—protects furnishings from UV Damage while maintaining view-through
- Day lighting - Sheers disperse sunlight deep into the room, reducing the need for electric lights.
- Preserve Outside View - No cords or tapes to obstruct outside views.
- Daytime Privacy - View to the outside is clear, while view from street is obscured during the day.
- Solar heat Reflection - White back sheer reflects solar heat to keep rooms cooler in the summer.
- Unobstructed view - Shadings roll completely into the headrail when raised.

Headrail & Bottomrail

Headrail



Notes:

- Cassette and bottom rail are colour-coordinated to the fabric as standard
- Cassettes are available in 3 colours (0204 white, 0161 crème and 7113 grey)
- Silhouette® Shades are always provided with a 75mm colour-coordinated aluminum bottom rail with balance weight

Bon Soir Originale and Ombre comprise of a "room darkening fabric" and should not be regarded as a black out blind.

The Semi Opaque vanes will allow light to pass through and will provide dim light.

Due to the nature in which the blind hangs, light will pass between the vanes.

The effect is more prominent at the bottom of the blind.

When mounting blinds in a rebate on a ceiling, an additional 25mm is required in front of headrail to position blind on brackets

VANE CLOSURE

When the vanes of a Silhouette® Shade are closed, they overlap each other, blocking the view. However, the vanes do not contact each other along the full length of the shade - they do not form a perfect seal against light leakage. This is most visible toward the bottom of the shade. Vane closure is measured as the distance between the front and rear fabric facings 150mm up from the lowest point of the bottom rail, with the shade fully lowered and the vanes closed. For all fabrics, the vane closure is 16mm for shades under 1500mm in length and 22mm for shades over 1500mm in length.

Vane closure for all 75mm fabrics is 25mm, regardless of height.

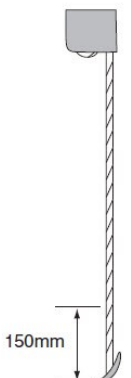
Please note that minor rippling may occur in the voile section attached to the bottom rail. This is a by-product of the manufacturing process and is considered to be within the specification of this product.

ADJACENT SHADINGS

To span wide openings, Silhouette® Shades may be installed adjacently, so that their headrails abut. The gap between the fabric panels of the adjacent shadings varies according to the cord placement.

OTHER SILHOUETTE® SHADINGS:

Left/Right Shadings	Centre Gap
Right/Right Controls	19mm
Left/Left Controls	19mm
Right/Left Controls	26mm
Left/Right Controls	13mm



Luxaflex® Silhouette® Shades



Minimum & Maximum Dimensions

Smartcord® Maximum Dimensions

Fabric Group	Price Group	Width (mm)		Height (mm)	
		min	max	min	max
Promenade	E	300	3000	300	2200
Silk	2	300	3000	300	2200
Toujours	2	300	2750	300	2650
BonSoir Originale	2	300	3000	300	2800
Ombre	2	300	3000	300	2800
Bayou	E	300	3000	300	3000
Éclair	2	300	2500	300	1700
French Linen	2	300	2900	300	3000
Lumière	2	300	3000	300	3000
Matisse	1	300	3000	300	3000
Originale	1	300	3000	300	3000
Sunscreen	1	300	3000	300	3000

Endless Cord Maximum Dimensions

Fabric Group	Price Group	Width (mm)		Height (mm)	
		min	max	min	max
Promenade	E	300	3000	400	2200
Silk	2	300	3000	400	2200
Toujours	2	300	2750	400	2650
BonSoir Originale	2	300	3000	400	2800
Ombre	2	300	3000	400	2800
Bayou	E	300	3000	400	3000
Éclair	2	300	2500	400	1700
French Linen	2	300	2750	400	3000
Lumière	2	300	3000	400	3000
Matisse	1	300	3000	400	3000
Originale	1	300	3000	400	3000
Sunscreen	1	300	3000	400	3000

Literise® Maximum Dimensions

Fabric Group	Price Group	Width (mm)		Height (mm)	
		min	max	min	max
Promenade	E	500	3000	300	2100
Silk	2	500	3000	300	2100
Toujours	2	500	2750	300	2100
BonSoir Originale	2	500	3000	300	2100
Ombre	2	500	3000	300	2100
Bayou	E	500	3000	300	2100
Éclair	2	500	2500	300	1700
French Linen	2	500	2900	300	2100
Lumière	2	500	3000	300	2100
Matisse	1	500	3000	300	2100
Originale	1	500	3000	300	2100
Sunscreen	1	500	3000	300	2100

PowerView® Motorisation

Fabric Group	Price Group	Width (mm)		Height (mm)	
		min	max	min	max
Promenade	E	500	3000	300	2200
Silk	2	500	2400	300	2200
Toujours	2	500	2750	300	2650
BonSoir Originale	2	500	3000	300	2800
Ombre	2	500	3000	300	2800
Bayou	E	500	3000	300	3000
Éclair	2	500	2500	300	1700
French Linen	2	500	2900	300	3000
Lumière	2	500	3000	300	3000
Matisse	1	500	3000	300	3000
Originale	1	500	2400	300	3000
Sunscreen	1	500	3000	300	3000

Electric 24V Maximum Dimensions

Fabric Group	Price Group	Width (mm)		Height (mm)	
		min	max	min	max
Promenade	E	500	3000	300	2200
Silk	2	500	3000	300	2200
Toujours	2	500	2750	300	2650
BonSoir Originale	2	500	3000	300	2800
Ombre	2	500	3000	300	2800
Bayou	E	500	3000	300	3000
Éclair	2	500	2500	300	1700
French Linen	2	500	2900	300	3000
Lumière	2	500	3000	300	3000
Matisse	1	500	3000	300	3000
Originale	1	500	3000	300	3000
Sunscreen	1	500	3000	300	3000



Luxaflex® Silhouette® Shades



DESIGN AND OPERATION

Recess Size reductions: 5mm for width and drop.
When mounting blinds on a rebate in a ceiling an additional 25mm is required in front of headrail to position blind on brackets.

VANE OPENING

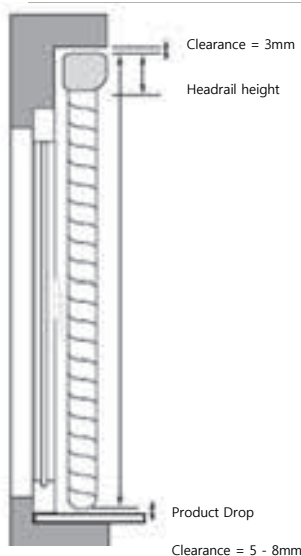
Vanes on the Silhouette® fabrics open to slightly different degrees. Consequently, there are variations in visibility through the shadings when the vanes are tilted to their maximum open positions. The variations among the products are shown when looking through the shadings at eye level.

SIDE-BY-SIDE VANE ALIGNMENT

When Silhouette® Shades are installed side by side, vane alignment can be guaranteed within 10mm only if:

- The ordered height measurements are exactly the same.
- The shades are the same colour and ordered at the same time.
- The combined widths of the shades to be aligned do not exceed 2600mm otherwise vane alignment may vary by up to 25mm between shades.

STANDARD RECESS REDUCTIONS ON WIDTH AND DROP OF 5mm



Recess Reductions

- Drop minus 5mm
- Width minus 5mm

Delivered product size is measured with the slats in the open position. Drop can vary from ordered size up to 2mm - 5mm

Notes:

- On the Éclair fabric, the front sheer can be slightly skewed, this has no effect on hanging behaviour.
- Silhouette® window shadings are highly engineered textiles, but like any fabric, there are some visible variations, which are normal and not product defects. Slight wrinkles, puckers or other variations may appear and are inherent to this product.
- To retain their dimensionality, Silhouette® vanes are not designed to close tightly (most noticeable at the bottom of the shadings); however, vane overlap ensures that privacy is not compromised.
- Skew roll up can be corrected on the spot with the balance weight inside the bottom bar.
- The bottom rail can raise somewhat when in the closed or over-rotated position, depending on the fabric and lift system
- Always measure the height of a Silhouette® Shade in the open position.
- Powerview® with Battery pack when mounted on the wall, always needs 18 mm of spacer blocks

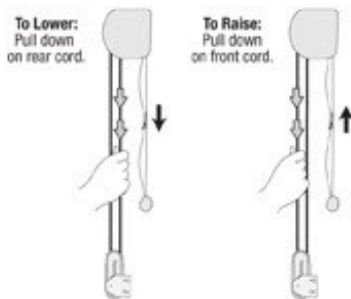
	Idle side		Operation side	
	Light gap	+/- Tolerance	Light gap	+/- Tolerance
	mm	mm	mm	mm
Endless cord	8	2	17	2
SmartCord®	8	2	15	2
LiteRise®	8	2	8	2
Powerview®	12	2	12	2
24v motor	8	2	17	2



Luxaflex® Silhouette® Shades



Endless Cord Control

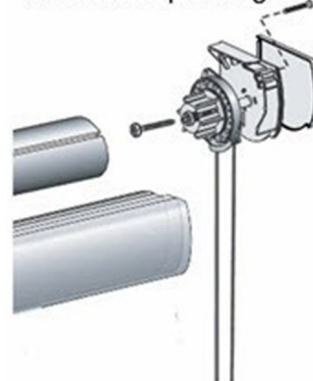


Loop Cord Length
600
900
1200
1500
1800

Installation height dependant

- Cord thickness 3mm
- Colour coordinated (White, off white or grey)

new endcap configuration



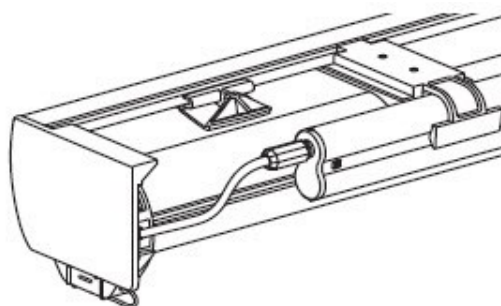
Cassette endcaps consists of two pieces, making repairs and alterations easier

PowerView® (automated with battery power)

- For dimension limits see charts above
- 18v battery powered quiet motor with operation by (Radio Frequency)
- Battery Pack clips onto back of shade, mounting on face has to be in combination with spacer blocks (minimum 18mm)

PowerView® Motorisation

Fabric Group	Price Group	Width (mm)		Height (mm)	
		min	max	min	max
Promenade	E	500	3000	300	2200
Silk	2	500	2400	300	2200
Toujours	2	500	2750	300	2650
BonSoir Originale	2	500	3000	300	2800
Ombre	2	500	3000	300	2800
Bayou	E	500	3000	300	3000
Éclair	2	500	2500	300	1700
French Linen	2	500	2900	300	3000
Lumière	2	500	3000	300	3000
Matisse	1	500	3000	300	3000
Originale	1	500	2400	300	3000
Sunscreen	1	500	3000	300	3000



PowerView® is a battery operation shade controlled by either a Pebble® Remote or using the Hub with a Tablet or Smart Phone.



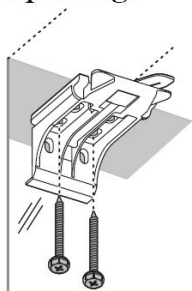
Please refer to the PowerView® pages on the Dealer Portal for more information.



Luxaflex® Silhouette® Shades



Top Fixing



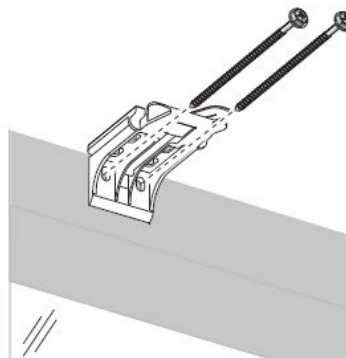
27.5361

Min. 25mm required in front of bracket to fit headrail on.

Required Depth (incl. mounting bracket): = 82mm

Space between ceiling and headrail is 3mm

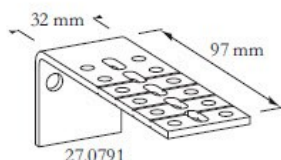
Face Fixing



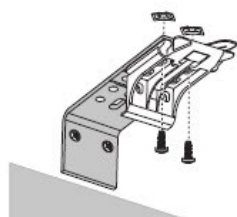
27.5361

Headrail height: = 65mm

Extension bracket



27.0791

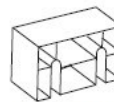


- 1 bracket will be required for each 800 mm width
- Only available in aluminium colour

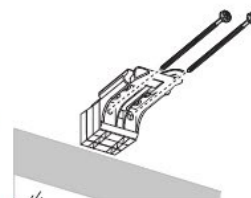
Spacer blocks



6 mm 27.8558



12 mm 27.0793



- Maximum 36 mm combined
- Total 18 mm is required when face fitting a PowerRise® operated Shade
- Bracket clearance is 3 mm above headrail

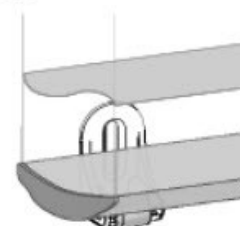
No. of Brackets

Product Width	No. of brackets
Less than 800 mm	2
800 - 1600 mm	3
1600 - 2400 mm	4
2400 -2850 mm	5

Hold down brackets



27.0796



- Hold down bracket is magnetic
- For mounting on doors or drafty windows
- Suitable for face or sill fixing

Important Notes:

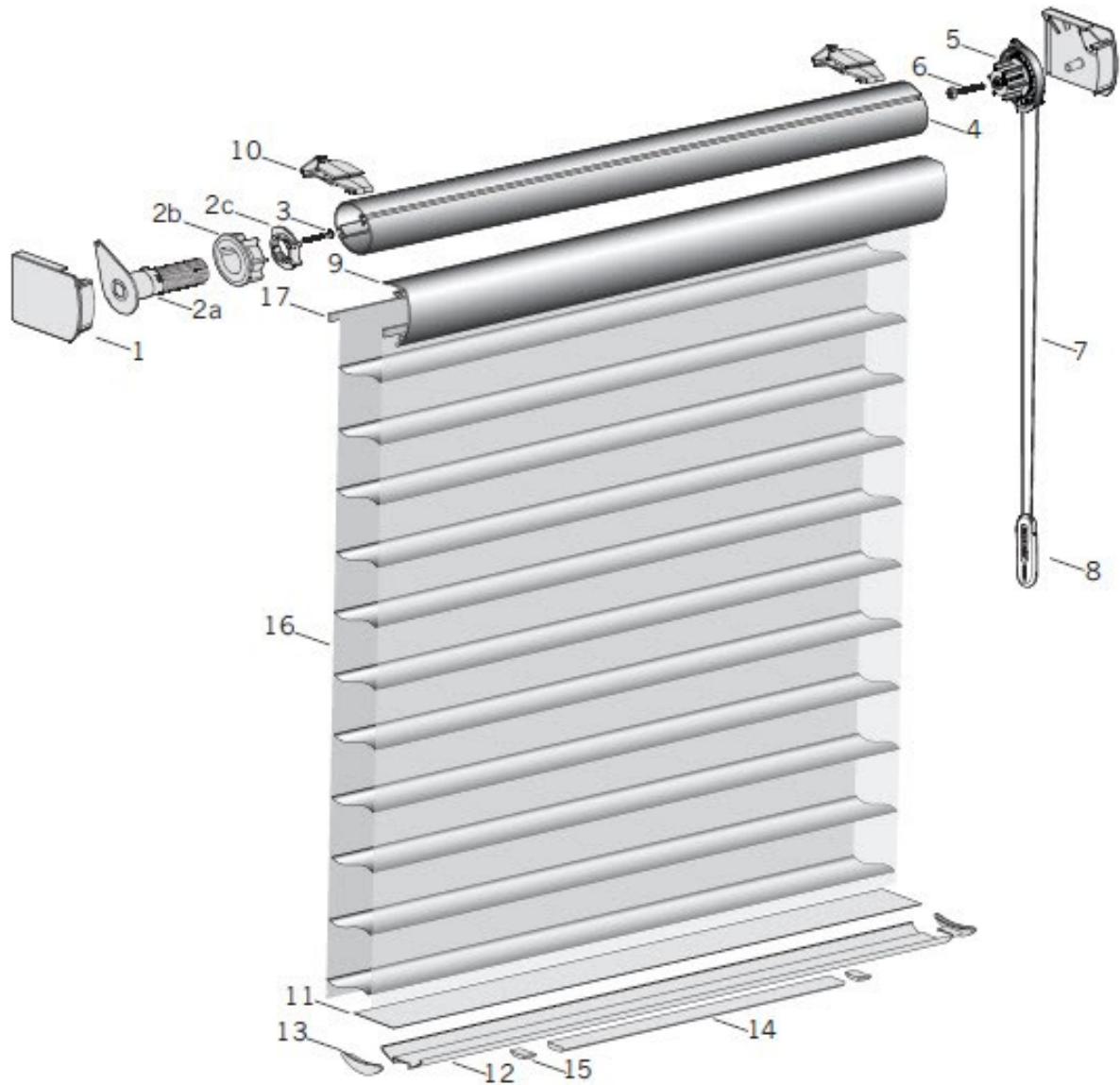
- 24v Motorised minimum width = 600mm
- When installing always check on skew rolling. Restore by means of balance weight in the bottomrail
- Clearance between ceiling and headrail is 3mm.
- At the bottom of the Silhouette®, drop variation for 75mm can be 5-8mm longer.



Luxaflex® Silhouette® Shades



Endless Cord Operation



Standard Parts

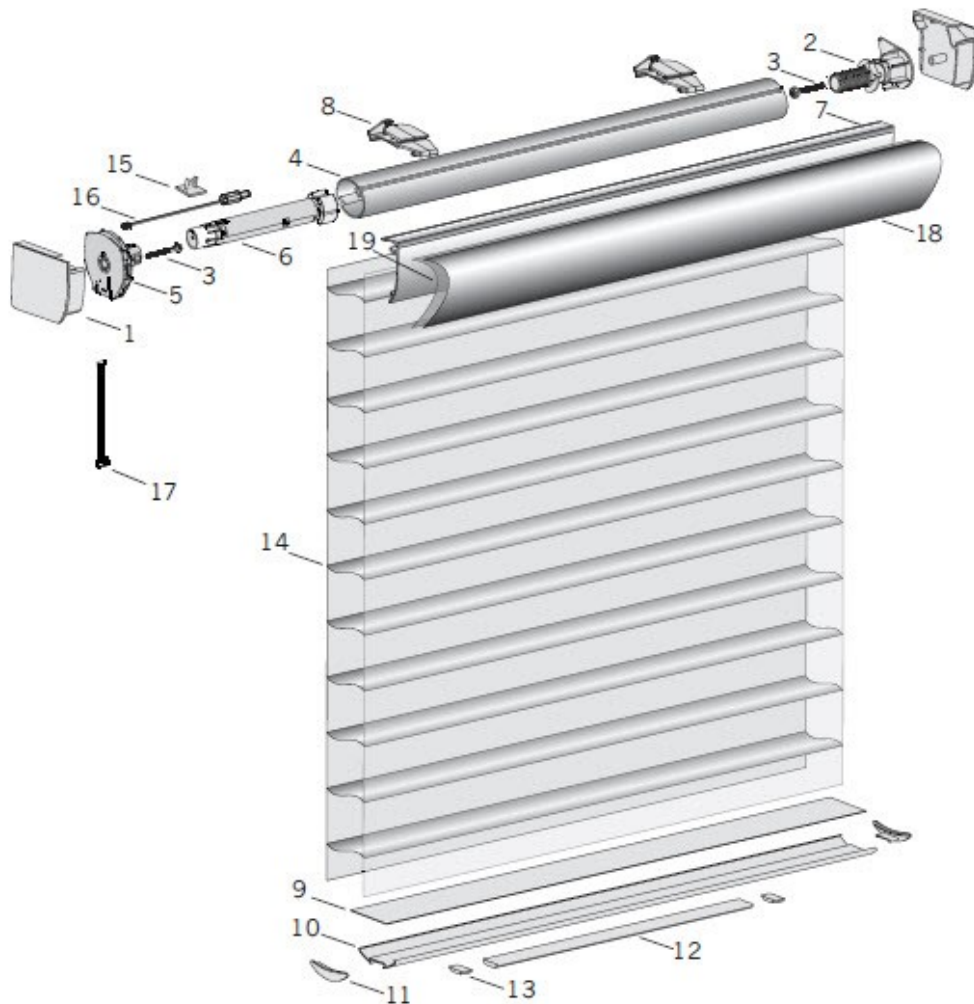
- | | | |
|---------------------------|-----------------------------|--------------------------|
| 1. Headrail End Caps | 5. Clutch Assembly | 12. Bottom Rail |
| 2. Limit Screw Assembly | 6. Screw | 13. Bottom Rail End Caps |
| 2a. Limit Screw | 7. Cord Loop | 14. Balance Weight |
| 2b. Rotator | 8. Universal Cord Tensioner | 15. Weight Clips |
| 2c. Limit Nut | 9. Fabric Covered Headrail | 16. Fabric |
| 3. Screw | 10. SU Std. Top Limit | 17. Polystrip |
| 4. Universal Rotator Rail | 11. Bottom Slat | |



Luxaflex® Silhouette® Shades



PowerView® Operation



Standard Parts

- | | | |
|-----------------------------|--------------------------|----------------------------------|
| 1. Headrail End Caps | 8. SU Std. Top Limit | 15. Wire Saddle |
| 2. URR Limit Screw Assembly | 9. Bottom Slat | 16. Power Adapter Cable |
| 3. Screw | 10. Bottom Rail | 17. Interface Module Cable Assy. |
| 4. Universal Rotator Rail | 11. Bottom Rail End Caps | 18. FCH Fabrid |
| 5. SU Cartridge Assembly | 12. Balance Weight | 19. Full Width Tape |
| 6. URR Motor Assembly | 13. Weight Clips | |
| 7. Fabric Covered Headrail | 14. Fabric | |

