

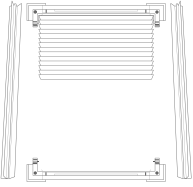


## FREE HANGING PERFECT FIT BLINDS

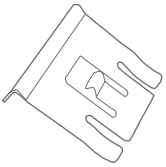
# YOU SHOULD HAVE

## PERFECT FIT ITEM LIST

Perfect Fit Frame and Blind



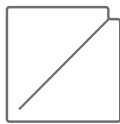
Brackets



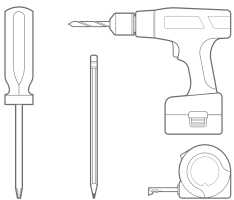
Safety Device



Cover Caps



## TOOLS REQUIRED



- Screwdriver
- Pencil
- Drill
- Tape Measure

**NOTE:** For blinds with frame, the wand will always be attached to the back of the side sections of the frame. For blinds without a frame, the wand will be inside the headrail of the blind. Sunwood: When the wand is wider than the blind, the wand will be sent as a separate package.

**CHILDREN CAN STRANGLE IF A SAFETY DEVICE IS NOT INSTALLED. ALWAYS USE A SAFETY DEVICE TO KEEP CORDS AND CHAINS OUT OF REACH OF CHILDREN.**

**THE INSTALLATION OF THIS PRODUCT SHOULD BE CONDUCTED BY SOMEONE COMPETENT IN DIY.**

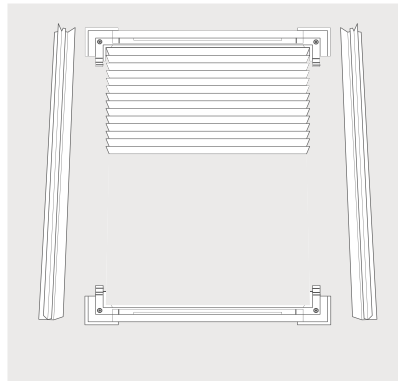
## STEP 1

### PUT THE FRAME TOGETHER

#### 1.1

Lay all parts of the frame/blind out face down on a clean even surface.

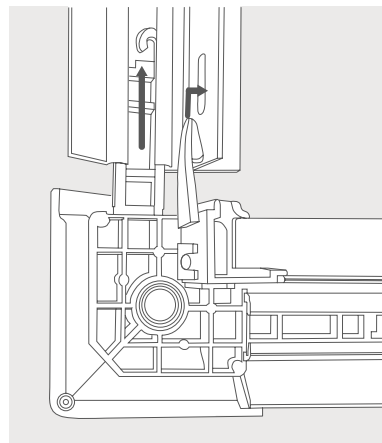
Your blind will be attached to the top section of the frame. The bottom frame section will be attached using the tension cords.



#### 1.2

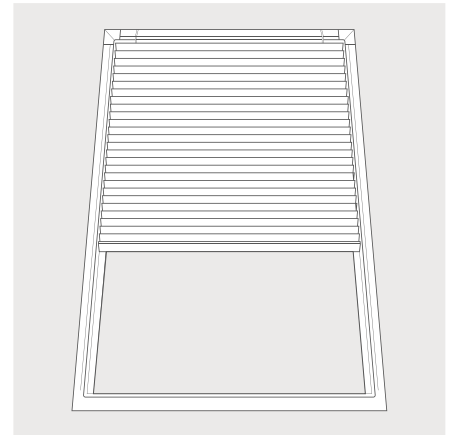
Slide the left-hand side of the frame on the bottom left-hand corner joint until the latch is secured inside the hole. Repeat the process on the top left-hand corner joint. Press cover caps into corner joints.

Follow the same procedure for the right-hand side of the frame ensuring cords do not become trapped.



#### 1.3

Your Perfect Fit frame and blind are ready to fit.



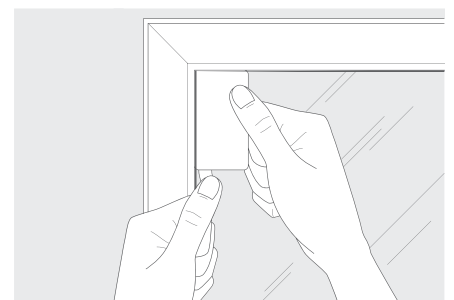
## STEP 2

### ATTACH THE BRACKETS

#### 2.1

You need to push the brackets between your window pane and the rubber window seal. The brackets need to be lined up with the bracket hole positions on the Perfect Fit frame. Brackets are positioned approximately 85mm from the top and bottom.

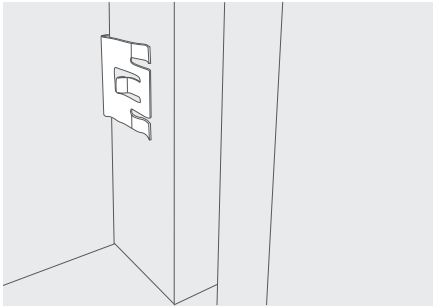
**TIP:** You can use a credit/debit card as a template to find the correct position for the brackets. Place the card length ways along the side of the window in each corner, and line up the bracket with the end of the card as shown.



## STEP 3

Press the flat edge of the bracket underneath the window seal. Bracket should be placed with the small tab facing outwards.

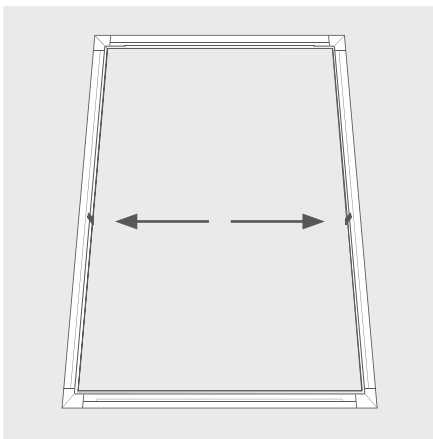
Align the brackets with the holes in the frame.



### 2.2

Fit any intermediate brackets accordingly. Two extra brackets will be supplied for blinds over 1100mm drop, these should be positioned approx. mid way down the drop of the blind, one on each side. These need to be lined up with the bracket hole positions on the Perfect Fit frame.

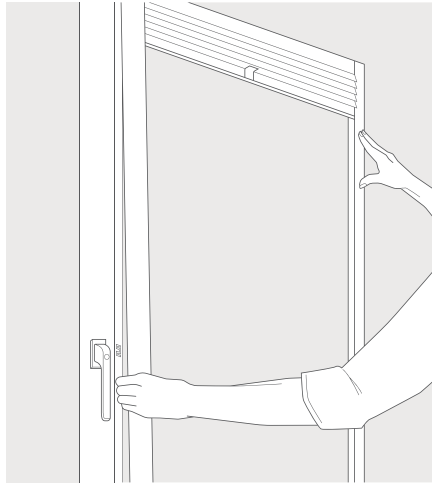
**TIP:** If you find that the brackets are difficult to place behind the window seal, you can use washing up liquid as lubricant on the flat part of the bracket. Once all the brackets are fitted, clean any excess from the window surface.



## ATTACH THE FRAME & BLIND TO THE WINDOW

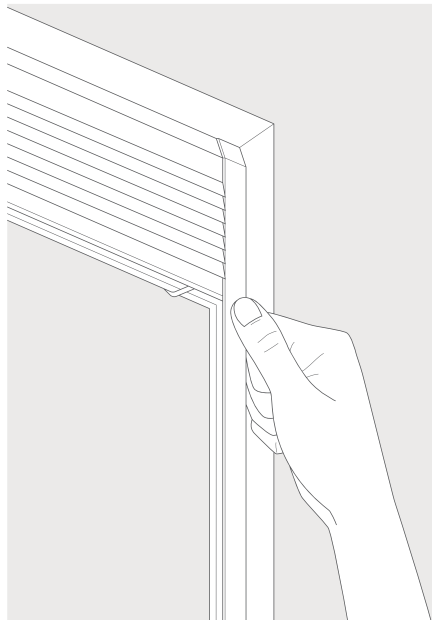
### 3.1

Line up the holes in the Perfect Fit frame with the brackets.



### 3.2

Firmly press the frame onto each bracket one side at a time.



Your frame and blind are now installed.

## STEP 4

### SAFETY DEVICE

**Cord safety cleat** - The safety cleat shall be installed as close to the headrail as possible and in all cases not less than 1500mm from the floor.

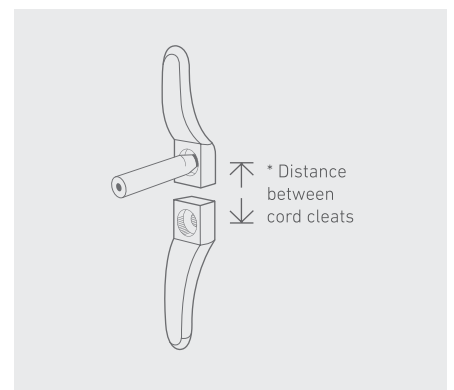
The Cord must be fully accumulated around the safety cleat(s) when the blind is not in use.

Use the table below to determine the distance required between the cleats to fully accumulate the cords when the blind is fully raised.

Drop of Blind	*Distance between cord cleats (centre to centre)
1-1000mm	100mm
1001-2000mm	150mm
2001-3000mm	300mm

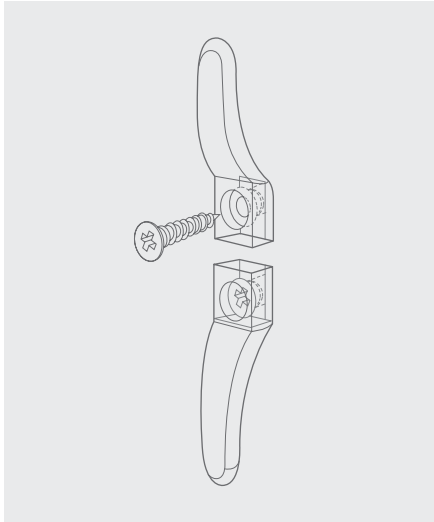
Place the safety cleat in the desired position on the wall and mark the positions of the holes with a pencil.

(Note: Based on cord up to 2.8mm, 17m can be accumulated in total.)



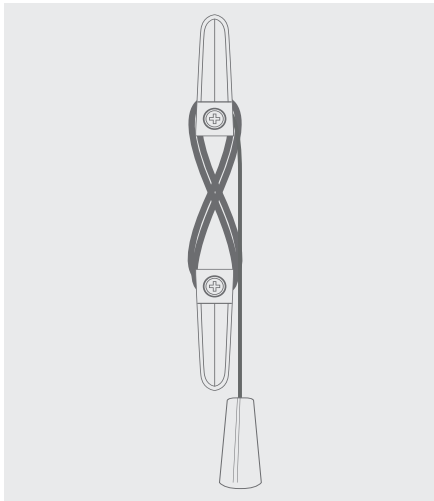
# BREAKAWAY SAFETY TASSEL

Use suitable screws to attach the safety cleat to the wall.

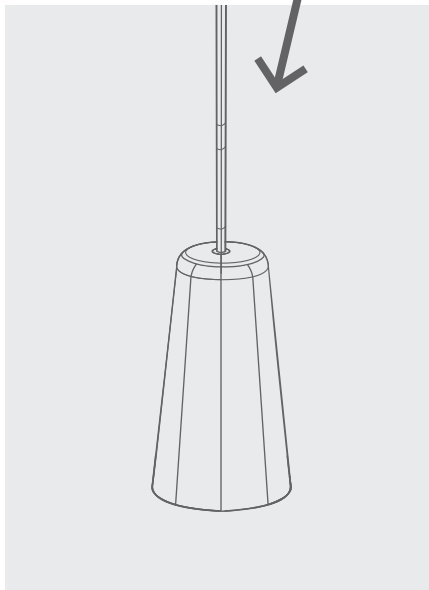
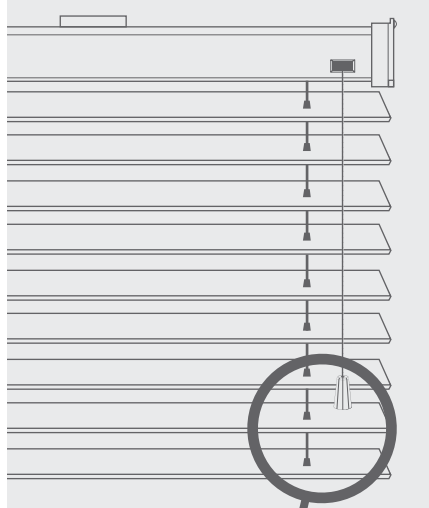


Wrap the cords around the cord cleats in a figure of 8.

When the cords are fully accumulated ensure they are secure so when any cord is pulled no excess cord is released.



Breakaway safety tassel is pre-fitted to the lift cords so that when a horizontal force is applied to the cords entering the condenser it safely breaks away eliminating any hazardous loops.



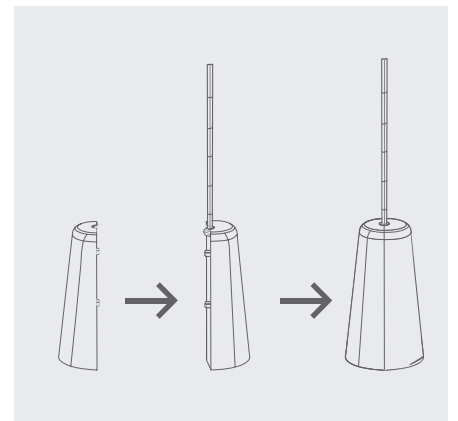
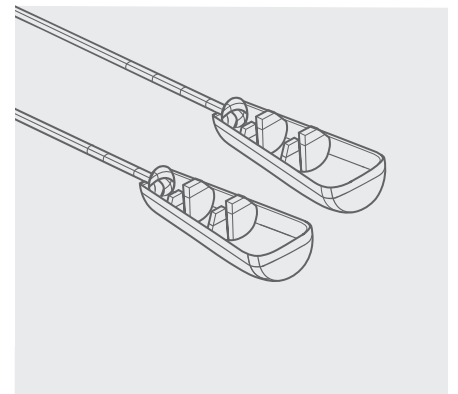
If the breakaway safety tassel is pulled apart:

Untangle and untwist cords.

**For 2 cords:** Press the breakaway safety tassel together until it is fully closed.

**For 3 to 4 Cords:** Place the loose cord(s) in the opening of each half of the breakaway safety tassel and press the breakaway safety tassel together until it is fully closed.

If there are any doubts that the breakaway safety tassel has not been re-attached correctly it can be tested by placing your arm between the cords and pressing downwards. The breakaway safety tassel should break apart with minimal force. If it does not breakaway tie cords out of reach of children and contact a reputable blind company to repair the blind.

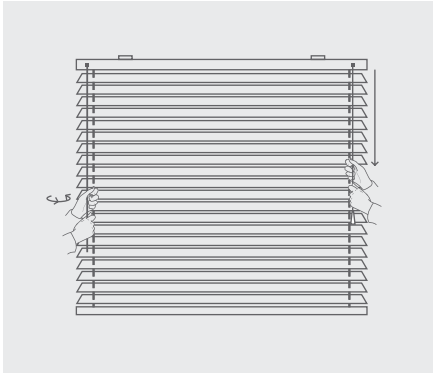


PLEASE READ THE INSTRUCTIONS BEFORE OPERATING THIS PRODUCT

## OPERATION INSTRUCTIONS

### BLIND OPERATION

**To tilt blind:** Twist the wand to tilt the slats in either direction.



Tilt blind horizontal before raising/ lowering to extend the life of the blind.

**To lower blind:** Move lift cord towards middle of the blind pulling down gently until cord lock releases.

**To raise blind:** Pull lift cord downward until blind reaches desired height.

**To lock cords:** Pull lift cord towards the outside of the blind and release. Cord will lock automatically.

### MAINTENANCE

The product is maintenance free, however we recommend that regular visual checks are completed to ensure that no components have been damaged, which could result in operating difficulties and/or cause a safety risk.

If any maintenance is required, we recommend that the work is carried out immediately by a reputable blind company.



**make it safe**<sup>TM</sup>

**BBSA**<sup>®</sup>  
BRITISH BLIND & SHUTTER ASSOCIATION

## WARNING

Young children can be strangled by loops in pull cords, chains, tapes and inner cords that operate the product.

To avoid strangulation and entanglement, keep cords out of the reach of young children. Cords may become wrapped around a child's neck. Move beds, cots and furniture away from window covering cords.

Do not tie cords together. Make sure cords do not twist and create a loop.

