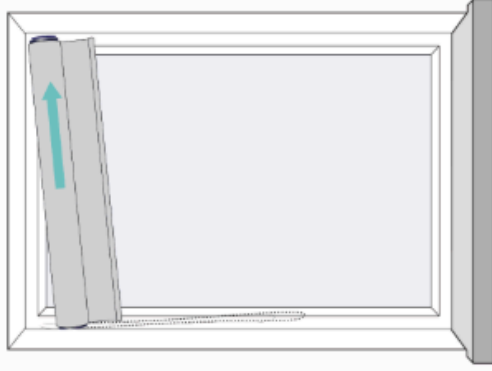


Fitting Instructions

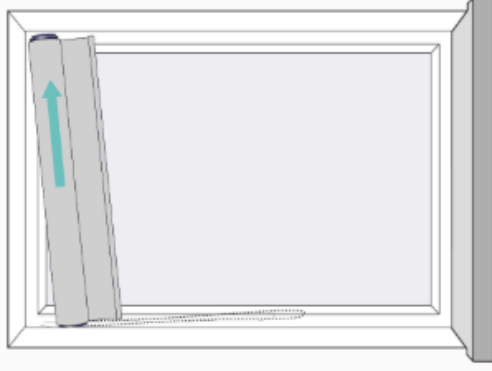
CB Premier Twist Fit Roller Blinds

Step 1



Angle the blind and insert it into the recess, then push the tightener against the wall

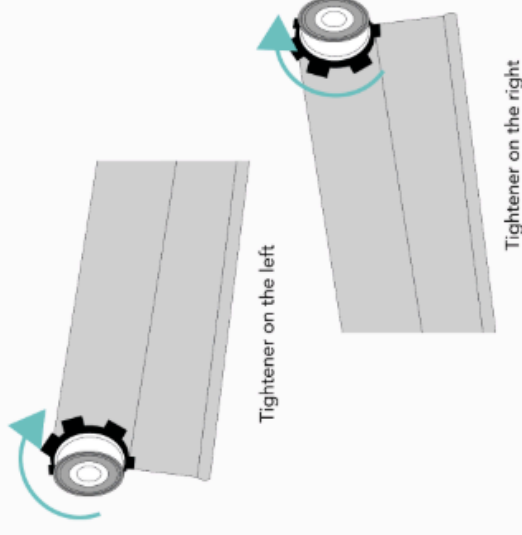
Step 2



Raise the control end of the blind to achieve a level position and release the pressure. The blind will hold itself in place.

TOP TIP: Ensure the blind is straight and level before securing it in place by making any necessary adjustments to its position.

Step 3



Secure the blind firmly and rotate the tightening wheel to ensure a tight fit. If the tightener is positioned on the left side, turn it towards you; if it's on the right, turn it away from you.

TOP TIP: Ensure the wheel is tightened to its maximum extent to maintain the blind's security and prevent slippage. If you encounter the 'foot' of the mechanism spinning while tightening, remove the blind from the window, tighten it slightly, reinsert it, and attempt the process again.